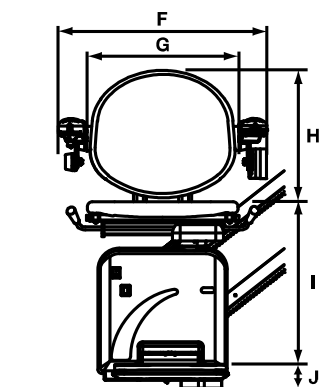
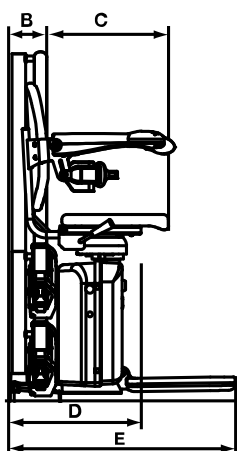
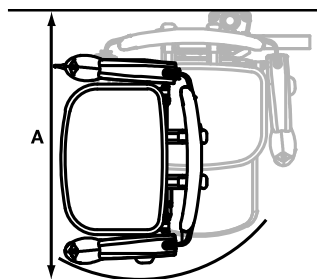


2000 Curved Stairlift Dimensions – Simplicity Seat



Simplicity Seat	Dimensions
A – Minimum swivel radius · With short armrest	28.375in 27in
B – Wall to inner seat back	3.875in
C – Seat depth	15in
D – Minimum folded width to footrest	15.75in
E – Minimum open width to edge of footrest	27.125in
F – Armrest width (external)	25in
G – Armrest width (internal)	18.875in
H – Seat back height	16.375in
I – Footrest to seat height*	19.5in – 22.875in
J – Minimum footrest height	2.75in
Minimum track intrusion into staircase	4.5in
Maximum weight limit · Heavy duty version	250lbs 300lbs

* The distance between the footrest and the seat is reduced to 18.75in when the footrest is placed at its highest level (3.5in).

Some of the above dimensions depend on the characteristics of the staircase in the home. Please consult the sales manual for further information about these dimensions and features of this seat. All information is provided in good faith but does not constitute a guarantee. Handicare reserves the right to alter designs and specifications without prior notice.