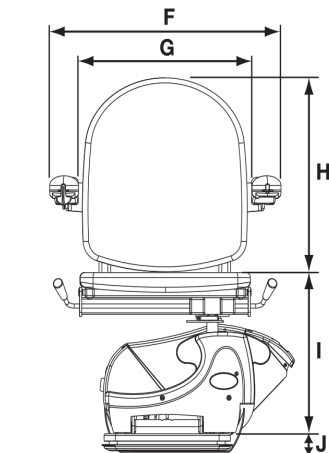
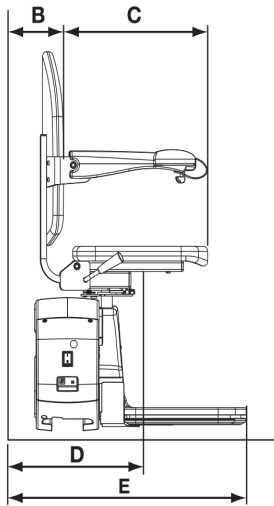
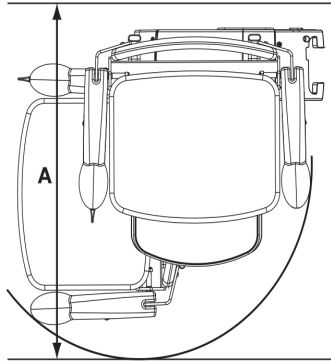


Handicare 950

Straight Stairlifts

Handicare 950

Straight Stairlifts



Simplicity Seat		Dimensions
A	Minimum swivel radius	26.77in
	With short armrest	25.39in
B	Wall to inner seat back	2.95in
C	Seat depth	14.56in
D	Minimum folded width to footplate	11.22in
E	Minimum open width to edge footplate	22.83in
F	Armrest width – external	24.4in
G	Armrest width – internal	18.89in
H	Seat back height	15.74in
I	Footplate to seat height	
	Standard seat option	15.35-19.29in
	Extended seat post	18.11-22.04in
J	Minimum footplate height	1.96in
Minimum track intrusion into staircase		6.29in
Maximum weight limit		310 lbs
Hinged rail / SlideTrack		265 lbs
Speed		0.12m/sec
Staircase angle		27 -45°
SlideTrack		37 - 45°

Some of the above dimensions depend on the characteristics of the staircase in the home. Please consult the sales manual for further information about these dimensions and features of this seat. All information is provided in good faith but does not constitute a guarantee. Handicare reserves the right to alter designs and specifications without prior notice.

HANDICARE
10888 Metro Court
St. Louis, MO 63043
866.891.6502
handicareusa.com